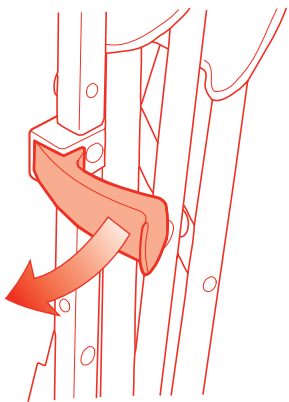
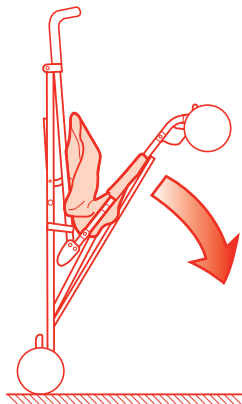


MACLAREN
quest

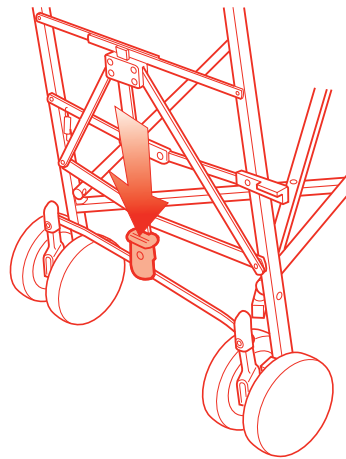
1



A

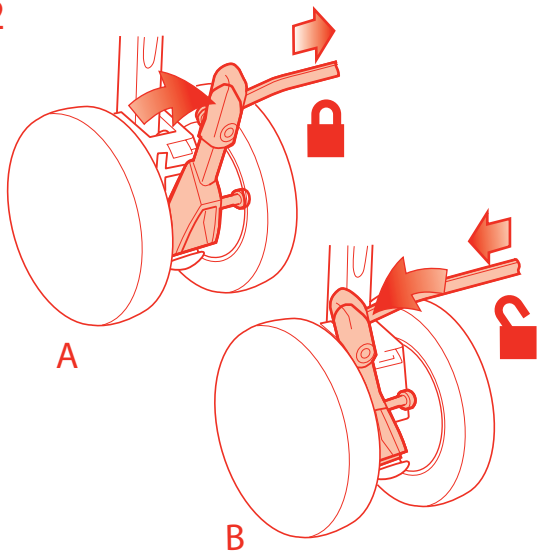


B

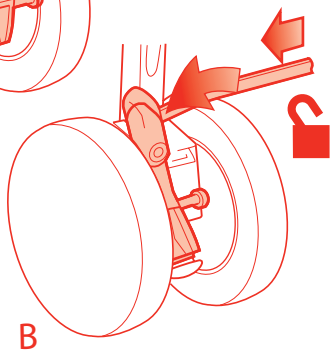


C

2

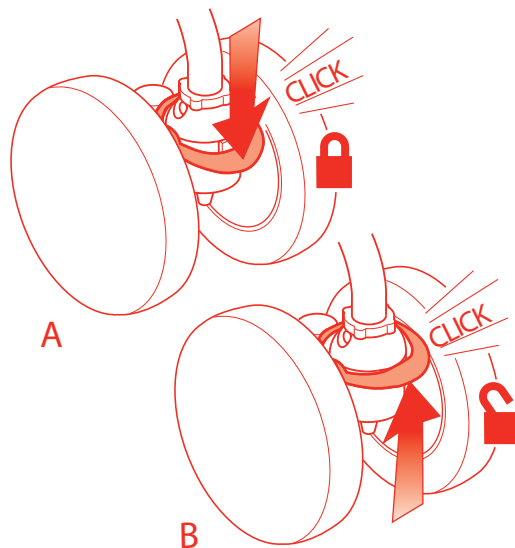


A

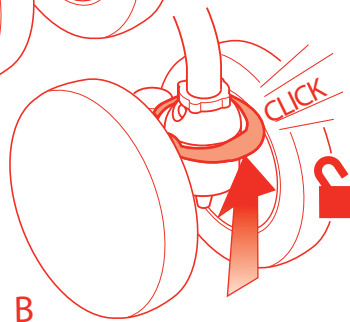


B

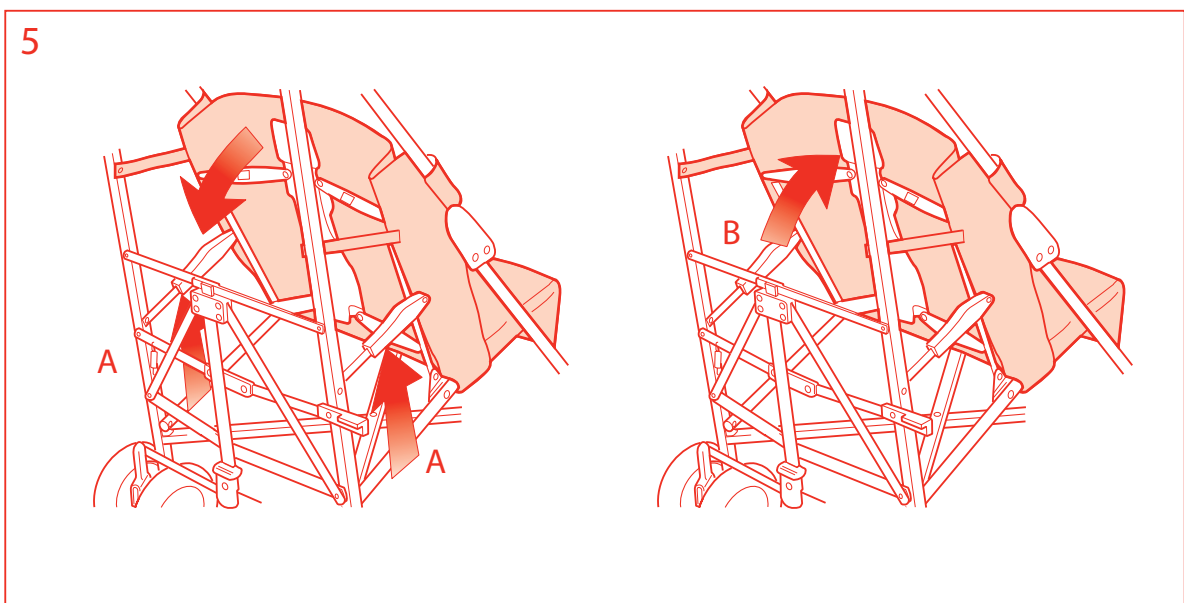
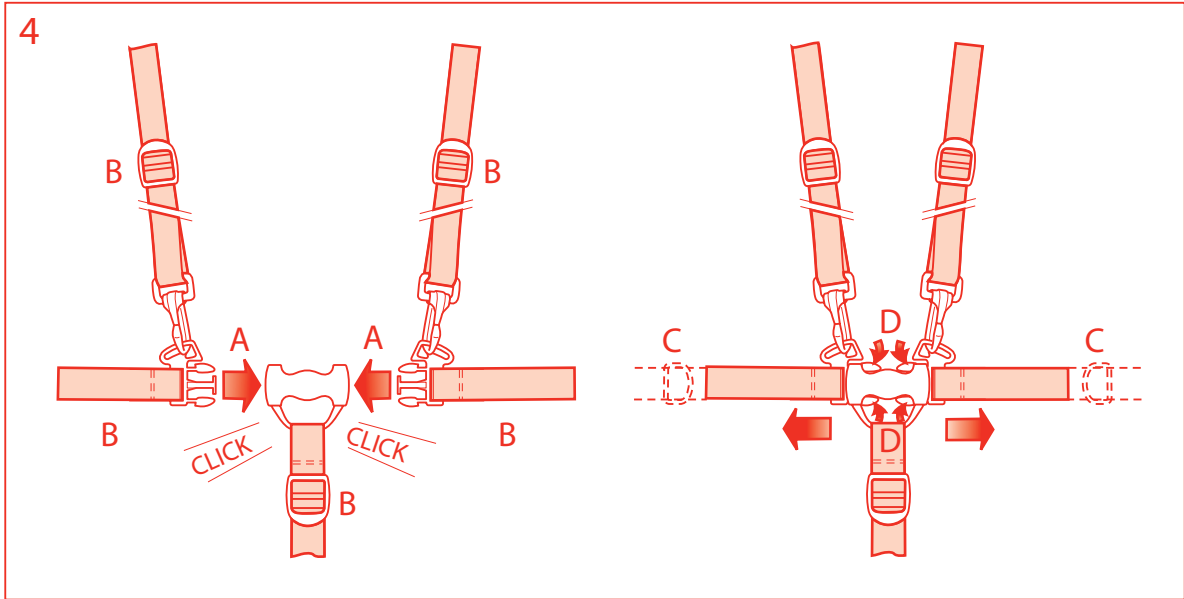
3

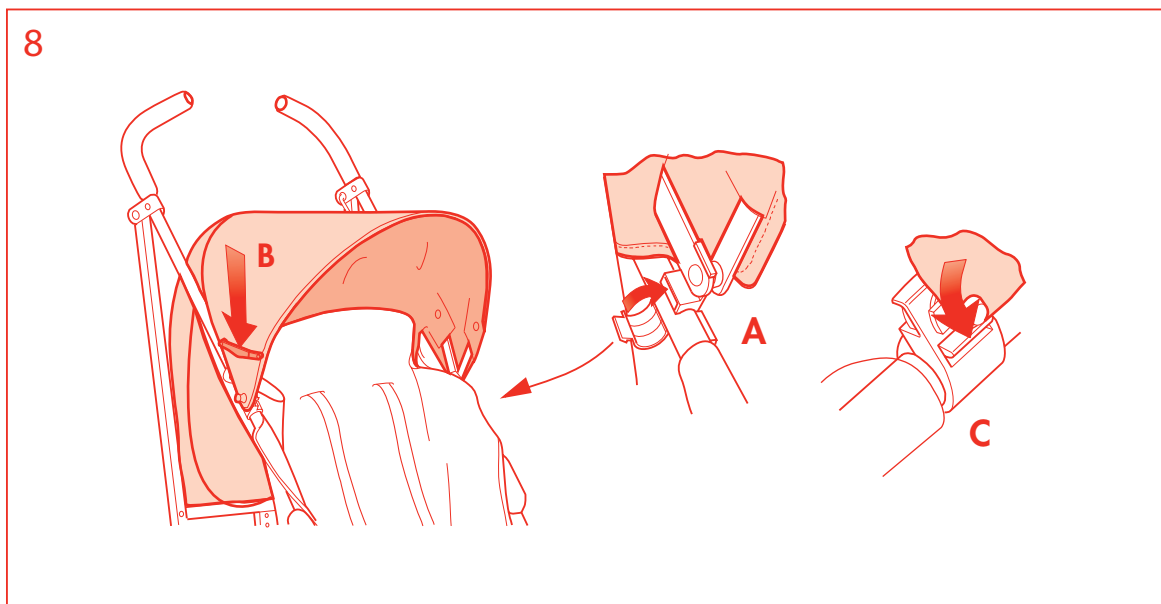
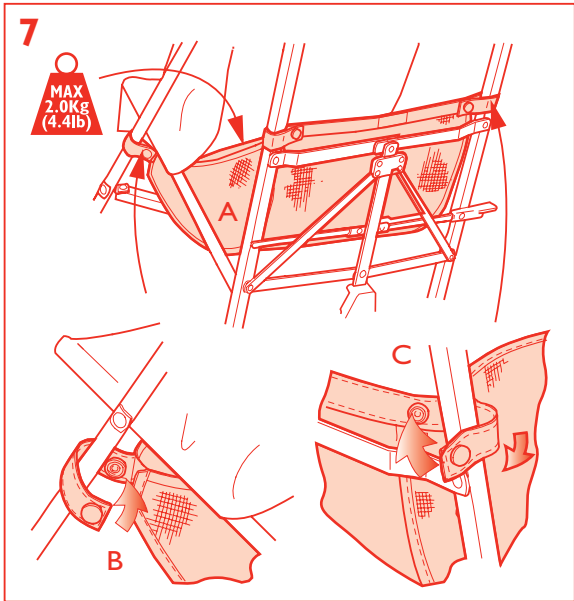
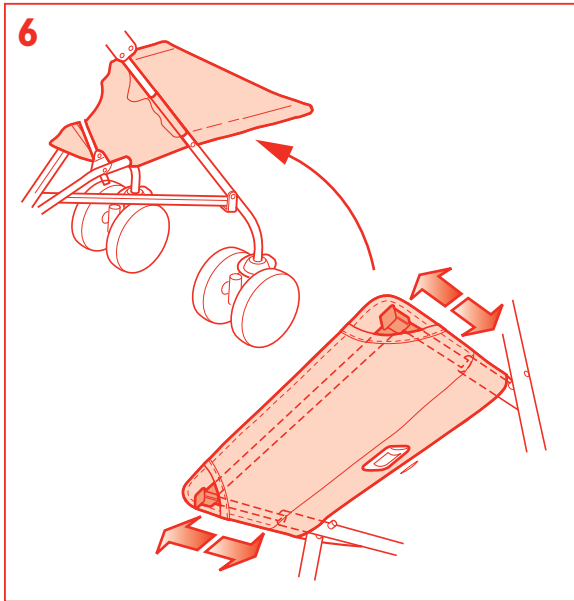


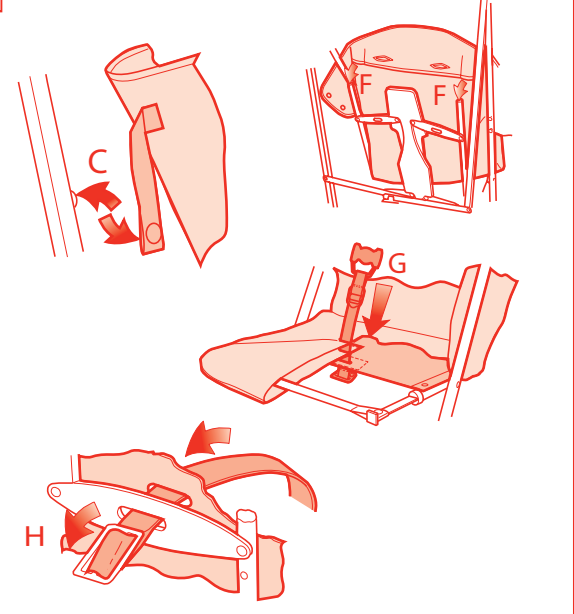
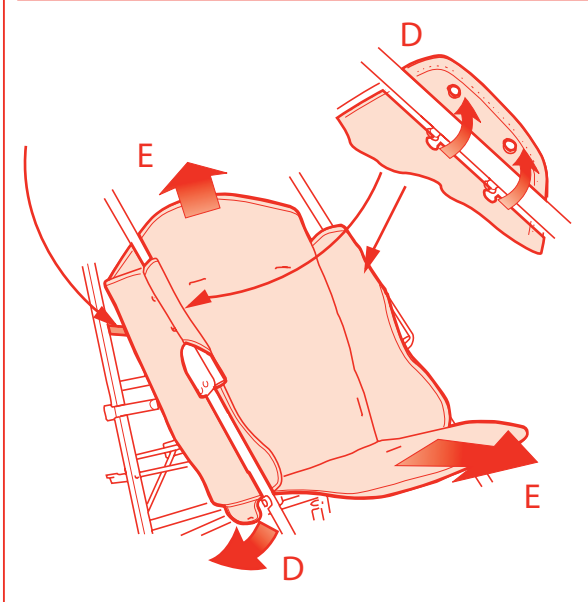
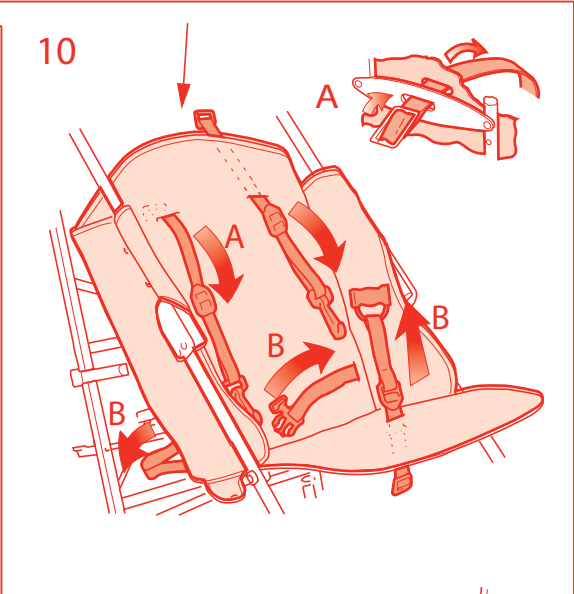
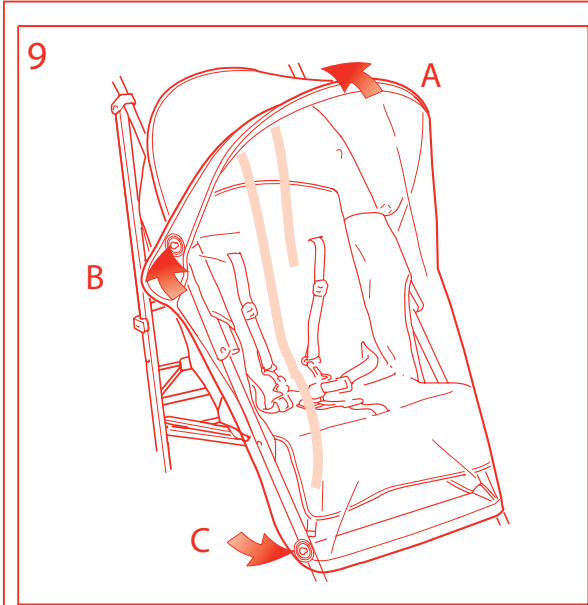
A



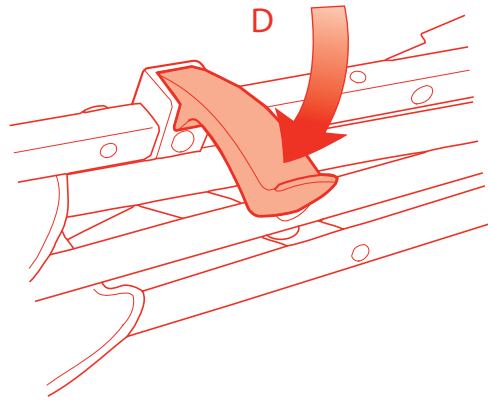
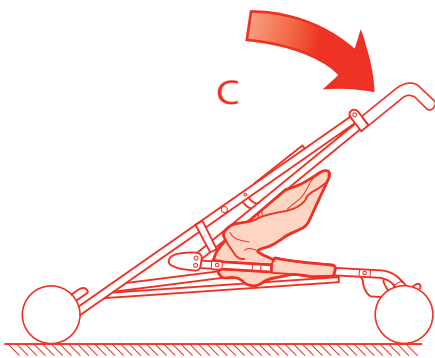
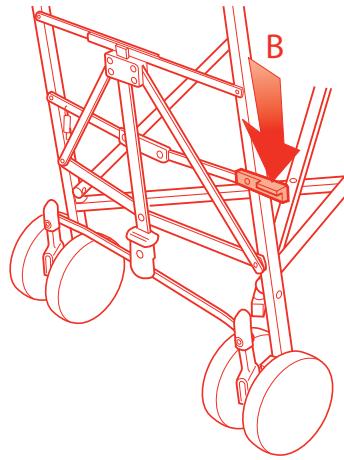
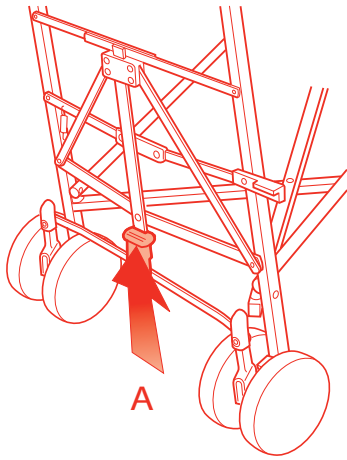
B







11



Warranty

Your Maclaren stroller is guaranteed to be free from any manufacturing defects for a period of 1 year from the date of purchase under normal use and provided it is used in compliance with the operating instructions. This warranty extends only to the original retail purchaser and is only valid when supplied with proof of purchase. Please retain proof of purchase with this Limited Warranty.

Should a repair be needed please contact the retailer from whom the product was purchased, or one of the Maclaren Authorised Service Agents.

Please note that the warranty will not be applicable if:

A fault is the cause of misuse or poor maintenance.
Please refer to this instruction leaflet for guidance on how to maintain your stroller.

Repairs are carried out by a third party.

The stroller is faulty due to general wear and tear which is the result of everyday use.

A stroller is damaged as a result of an accident.

Maclaren are not satisfied that the stated warranty terms and conditions have been met.

THIS WARRANTY IS GIVEN IN ADDITION TO AND DOES NOT AFFECT
YOUR STATUTORY RIGHTS

Contents

- 2 EN** ***Attendant user guide***
Please read this User Guide fully prior to use ensuring reference is made to the numbered diagrams on the final pages.
Retain this User Guide for future reference
- 5** Operation illustrations
- 10** Warranty information

EN

General Information & Safety

WARNING: IT MAY BE DANGEROUS TO LEAVE YOUR CHILD UNATTENDED. THE SAFETY OF CHILDREN IS YOUR RESPONSIBILITY. AVOID SERIOUS INJURY FROM FALLING OR SLIDING OUT. ALWAYS USE THE SEATBELT. THIS VEHICLE IS SUITABLE FOR ONE CHILD. IMPORTANT: KEEP THESE INSTRUCTIONS FOR FUTURE REFERENCE

- Follow all instructions carefully. Incorrect use will cause damage to stroller.
- Children should be harnessed in at all times and should never be left unattended.
- The harness should be correctly fitted and adjusted. The harness and seat belt are not a substitute for proper adult supervision.
- For extra safety 'D' rings are provided for the attachment of a separate, full harness (to BS6684).
- The child should be clear of moving parts while making adjustments.
IMPORTANT-DANGER: It is important that great care is taken to ensure that children are kept well clear of the stroller when folding or unfolding the product. Finger traps and scissoring actions are unavoidable during these operations.
- Do not carry additional children, goods or accessories in or on this stroller except as permitted in this leaflet. They may cause the stroller to become unstable.
- Overloading, incorrect folding and the use of accessories, e.g. child seats, bag hooks, rain covers, buggy boards, etc., other than those approved by Maclaren may damage or break this vehicle.
- Any damage caused by the use of accessories not supplied by Maclaren will not be covered by the terms of our warranty.
- Never leave child in the stroller when ascending or descending stairs or escalators or when travelling on other forms of transport.
- The stroller should always open and fold easily. Do not force it. It may be necessary to re-read the instructions.
- Negotiate curbs and rough ground carefully. Repeated impact will cause damage to the stroller.
- Never allow children to stand on the footrest.
- Do not leave the stroller exposed to heat i.e. by a radiator or in direct sunlight.
- Do not place items on the top of the hood.

MAINTENANCE AND REPAIR

- This vehicle requires regular maintenance by the user. Regularly check all rivets and connecting devices for tightness and security. Inspect all brakes, wheels and tyres and replace or repair if necessary. Check all safety devices for correct operation, in particular the primary and secondary locks. These should be free to move at all times. Never continue to use a product that is not structurally sound.
- We recommend a service every 12 months.
- If wheels squeak, lubricate sparingly with WD40 Teflon or silicone coating. Do NOT use oil or grease based products, as this will attract dirt, which will clog the movement.
- Only Maclaren replacement parts should be used. It may be unsafe to use parts not supplied by Maclaren.

CLEANING

- Clean frame with a damp cloth and a mild detergent and dry thoroughly. Do not use abrasives.
- The hood may be sponged lightly using a damp cloth and a mild detergent.
- The seat cover may be washed - see care labels for details. Dry thoroughly before reuse.
- Do not fold or store the product while wet and never store in a damp environment as this can cause mildew to form.

Maclaren reserve the right to make design changes to any of their products as part of their continuous development programme.

This product is designed and manufactured to comply with BS7409: 1996 (Safety requirements for wheeled child conveyances).

EN

Instructions

- IMPORTANT:**
- READ THESE INSTRUCTIONS CAREFULLY BEFORE USE AND KEEP THEM FOR FUTURE REFERENCE.
 - YOUR CHILDREN'S SAFETY MAY BE AFFECTED IF YOU DO NOT FOLLOW THESE INSTRUCTIONS.

1 TO OPEN THE STROLLER

- A Release storage clip.
- B Open out the stroller.
- C Using foot, push the footplate down fully to engage the primary locks.

WARNING: Ensure that all locking devices are engaged before use.

2 TO OPERATE BRAKES

- A TO ENGAGE BRAKES: With foot, push the brake levers to the far right.
- B TO RELEASE BRAKES: Push the brake levers to the far left.

WARNING: Parking device shall be engaged during the loading and unloading of children.

3 TO OPERATE FRONT WHEEL SWIVEL LOCKS

- A TO LOCK SWIVELS: Align front wheels and press down on locking levers.
- B TO UNLOCK SWIVELS: Raise locking levers.

4 SEAT BELT/SHOULDER HARNESS OPERATION

WARNING: Avoid serious injury from falling or sliding out. Always use the crotch strap in combination with the waist belt and shoulder straps.

TO FIT HARNESS:

- A Insert both fasteners securely into clasp.
- B Adjust strap lengths. Belt, crotch strap and harness should be snug.
- C 'D' rings are included for an additional harness, if desired.

TO RELEASE HARNESS:

- D Squeeze fastener prongs and pull apart.

5 TO ADJUST SEAT RECLINE

- A TO RECLINE SEAT BACK: Lift both hand grips to release seat locks and slide the seat back to desired position. Lower hand grips to engage locks on both sides.
- B TO RAISE SEAT BACK: From rear of stroller push seat back to original upright or desired intermediate position.

6 TO OPERATE THE LEGREST

TO EXTEND THE LEGREST: Pull out both legrest sliders.
Reverse this process to retract legrest.

7 TO FIT THE SHOPPING BAG

CAUTION: Overloading may cause a hazardous unstable condition to exist. Maximum load 4.4lb (2kg) evenly distributed.

The stroller may be folded with the bag still attached but **all contents must be removed**. Failure to do this could damage stroller and contents of shopping bag.

- A Place bag on the 'X' frame under seat with lowest edge of bag at front.
- B Attach front straps to front legs just below seat.
- C Attach rear straps to rear legs just above horizontal tie bar.

8 TO ATTACH THE HOOD

CAUTION: Overloading may cause a hazardous unstable condition to exist. Maximum carrying capacity of hood pouch - 1.1 lb (0.5kg.)

- A Clip the hood to the handle tubes just above the retaining blocks. Place rear apron behind seat back.
- B Extend hood and press down on side hinges to lock open.
- C The hood is removed by firmly pressing down the clip release tabs.

9 TO FIT THE RAIN APRON

- A Place the apron over the hood front.
- B Attach two eyelets (one each side) to the hood clips.
- C Attach the two eyelets (one each side) to the front legs.

10 REMOVING AND REFITTING THE SEAT COVER

Remove hood from stroller if fitted.

- A Twist shoulder strap end buckles and feed through holes.
- B Feed waist and crotch straps through holes.
- C Unclip seat cover retaining straps.
- D Unfasten seat fabric from handle tubes and seat base.
- E Slide fabric from seat back and base.
- F When refitting seat fabric, insert seat back support tubes into fabric slits.
- G When refitting seat fabric to seat base, loop fabric flap over legrest strap and pass crotch strap buckle through both holes in seat fabric and then hole in seat base.
- H When refitting shoulder straps, twist buckles and feed through holes.

11 TO FOLD THE STROLLER

Ensure the seat back is in its fullest upright position and the hood(if fitted) is folded back

Remove contents of shopping bag.

It is recommended that the harness is fastened before folding the stroller.

- A Using foot, lift up on footplate to release primary lock.
- B Push down on secondary lock lever.
- C Grip handles and push forward on stroller.
- D Compress folded stroller and engage storage clip.