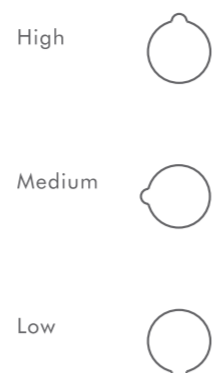
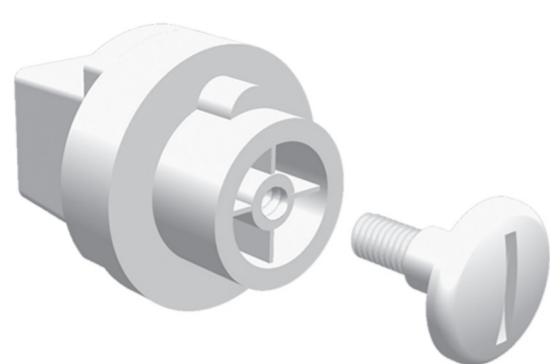
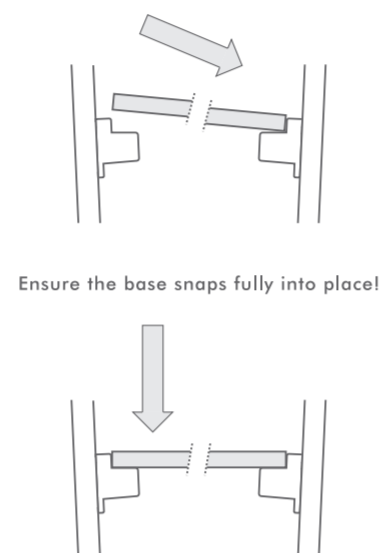


4. Select the desired height for your Base (there are 3 height settings - Low, Medium and High. When your child is able to sit up you must use the lowest base position for maximum safety). Insert the Base Plugs into the corresponding holes on the End Panels and secure them from the outside of the cot with the Base Plug Bolts which should be tightened using a flat headed screwdriver. Use the blanking discs to cover the vacant Base Plug Holes.



5. Having fitted all 4 Base Plugs lower the Base into place from the side using the hand holes and press down firmly into place (TIP: You may find it easier to insert the Base at an angle, locating one end tightly against the Base Plugs before lowering the other end and clicking it into place with a firm downward push). To change the base height, simply remove the Base, unscrew the Base Plug Bolts change the Base Plug location and replace the Base Plug Bolts and base as instructed in section 4.



IMPORTANT SAFETY INFORMATION

- Ensure all components are securely fixed before using your cot
- The height of the bed base is adjustable to three settings. The lowest position is the safest and should always be used as soon as baby is old enough to sit up
- Never leave anything in the cot that could provide a foothold or present a danger to your child
- We recommend that you use a mattress size of 120 cm x 60 cm (continental size)
- The top surface of the mattress should be at least 500 mm from the upper edge of the frame when the base is set at the lowest position and at least 200 mm from the upper edge of the frame when the base is set at the highest position (this level is indicated by 2 grooves on the inner face of each side panel).
- Do not position your cot close to open fires or any other strong heat sources

Should you require any assistance, spare parts or replacement parts please contact the Lindam careline on: 08701 118 118 or email us at careline@lindam.com

Lindam Limited Hornbeam Square West Hornbeam Park Harrogate HG2 8PA England www.lindam.com

Lindam

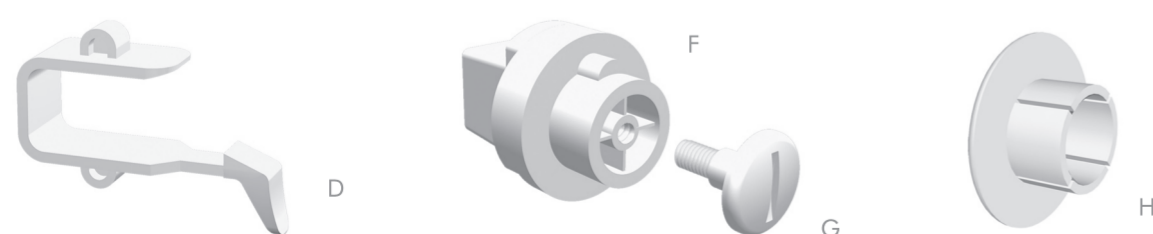


solo

IMPORTANT KEEP FOR FUTURE REFERENCE

This cot complies to BSEN716:1996 when fitted as instructed
model: LD86 product code: 44315

PLEASE READ CAREFULLY: The ease of assembly of your Solo Cot has been a key consideration in its development and design process. The result is the unique fusion system and by adhering to these simple step by step instructions you and your baby will soon be enjoying the full safety benefits of this beautiful piece of nursery furniture.



- | | | | |
|---|-----------------|---|---------------------|
| A | 2 x side panels | E | 1 x base |
| B | 2 x end panels | F | 4 x base plugs |
| C | 2 x shelves | G | 4 x base plug bolts |
| D | 4 x shelf clips | H | 8 x blanking discs |

You should have all of the above components. In the event of damage or loss all plastic components are available only from Lindam. For all enquiries please call the Lindam careline on: 08701 118 118 (Monday - Friday 10.00am - 4.00pm)

1. Slot the 4 Shelf Clips into the recesses found on the inner faces of the 2 Side Panels.



2. Hold the 2 Side Panels upright and parallel with the shelf clip holes facing inwards. Insert the 2 Shelves with the 2 square notches facing downwards. (TIP: You may find it easier to lean one Side Panel against a wall whilst holding the other Side Panel parallel and upright. Insert 1 Shelf into the held Side Panel before bringing the other Side Panel away from the wall and fully inserting the Shelf)



3. Slide in the End Panels from above ensuring the grooves and Base Plug Holes are facing inwards. (TIP: For the End Panels to slide in smoothly the Side Panels must be completely upright)

