



adapt&survive!™

© Phil and Teds Most Excellent Buggy Company Ltd 2009.

We (Phil and Teds Most Excellent Buggy Company Ltd) own the intellectual property rights in our brands, designs and inventions featured in this publication. These include, without limitation, the phil&teds, adapt&survive!, &, INLINE trade marks and INLINE DOUBLE BUGGY shape. We actively pursue people who infringe our intellectual property.

Model metoo issue January 2010

phil&teds®

send 102 - 112 daniell st newtown wellington nz  
visit [www.philanteds.com](http://www.philanteds.com)  
ph +64 4 380 0833  
fax +64 4 380 0137

Designed in New Zealand. Made in China

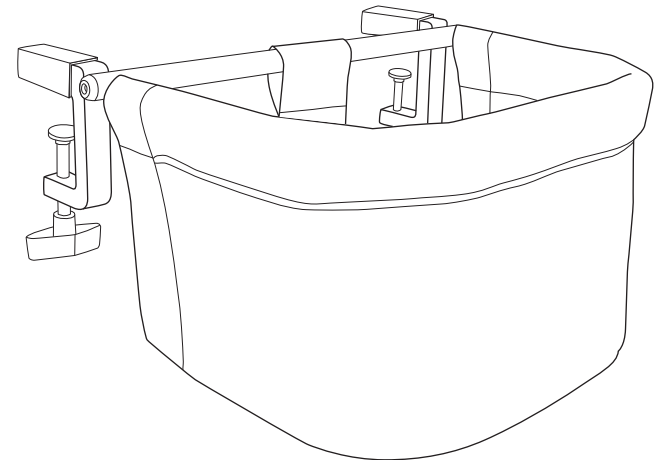
phil&teds

metoo™

IMPORTANT! KEEP FOR FUTURE REFERENCE

Read all instructions and familiarise yourself with all the fittings and straps before assembly and use of the chair.

1. Attach the seat directly to a table without a tablecloth or table pads, free from moisture and food
2. Adjust and tighten both clamps securely to the table. Ensure that the table top is in contact with the full surface of the grip.
3. Check that the table will not tip when the seat is in use.
4. Place you child in the seat and fasten the safety belt.
5. Give them food



# metoo™

READ THE INSTRUCTIONS CAREFULLY BEFORE USE AND KEEP THEM FOR FUTURE REFERENCE. YOUR CHILD MAY BE HURT IF YOU DO NOT FOLLOW THE INSTRUCTIONS.

## cuts & bruises

### Caring for your metoo.

Check the product for cuts & bruises. If the product is damaged in any way, or you are not sure how to use it, contact your retailer immediately.

When clean up time rolls around, just wipe metoo down with a damp sponge or soak it for a few minutes in warm water with natural soap. Let it air dry and it's ready for the next meal.

Do not store the metoo wet. Do not wash with harsh soap, solvents, bleach or detergents which may harm the fabric. Do not put in dishwasher.

Store in a well ventilated space, away from direct sunlight (which can harm and fade the fabric) and moisture.

Regularly check the grips to ensure they are not damaged in any way.

Improper care will void any warranties. Do not use metoo if deterioration is detected or suspected.

## rights & remedies

### our warranty and service policy

We want to give owners confidence in the quality of our products. They are warranted against defects in materials and workmanship for one year from the date of purchase.

If the product has a manufacturing fault we will repair it free of charge. If it's not practical to repair it we will, at our discretion, replace the part in question. If the product fails due to wear and tear, accident, neglect or negligence, or is outside the one year warranty, we will happily repair it for a reasonable charge.

### details of warranty

**Who is covered?** The original purchaser buying new product from an authorised dealer. Proof of purchase is required.

**What is covered?** Workmanship or materials that are deemed faulty, providing the metoo has, at all times, been used in normal conditions and been properly maintained in accordance with the instructions.

**What is not covered?** Second hand, modified or poorly maintained product. Normal wear, fading and fabric cuts. Improper use (including but not limited to): abnormal use; not following instructions; child left unattended; safety harness not used; excessive load; transport damage i.e. airline damage.

**Customer costs within warranty.** The customer is responsible for any inwards freight charge to return the product to the manufacturer, or its representative, for warranty and or service.

**Customer costs outside warranty.** Where proof of purchase is not provided or the product is outside the one year period, the manufacturer (or agent) reserves the right to charge a service fee and/or charge for parts replaced/repaired. A return freight charge may apply.

**Exclusions.** Any consequential loss or damage to any person or property resulting directly or indirectly from use of the product.

### log on & relax

Please register your product by visiting [www.philandteds.com/register](http://www.philandteds.com/register)

## WARNINGS

- Always secure child with the restraint. Never leave child unattended. Always keep child in view while in the metoo.
- The metoo is not suitable for children who cannot sit unaided.
- Minimum thickness of support surface is 18mm (approx 0.7 inches). Maximum thickness of support is 50mm (approx 2 inches).
- Recommended for children up to 40 pounds (18kg). ASTM standards - Use only for children up to 37 pounds (16.8kg).
- Do not use on a glass or loose table top, single pedestal table, card table, table leaf, or with table cloths or placemats.
- Keep the table structure and surface clean and dry.
- Check stability of table before and after seating child.
- Do not attach the metoo where the child might use his/her feet to push against a part of the table, another chair or any other structure, as this could cause the metoo to come off the table.
- Do not place ordinary chair under the metoo chair.
- Do not allow other children to play near or walk under the metoo chair while in use.
- Release harness before removing child from metoo chair to ensure child's legs are free from the harness.
- Do not use replacement parts other than those approved by the manufacturer or distributor.
- Keep coverings away from children to avoid suffocation.
- Do not use the metoo if any components are broken or missing.
- We recommend you routinely check the clamping devices and grips, and re-tighten them if required.
- Do not use if rubber grips are missing [1].
- Ensure the full surface of the grip is in contact with the table top. The full surface of the screw clamp must also be in contact with the underside of the table [2].
- Do not use with tables that do not allow both the full surface of clamps and grips to be in contact with the table, such as bevelled edges [3] and small round tables [4].

